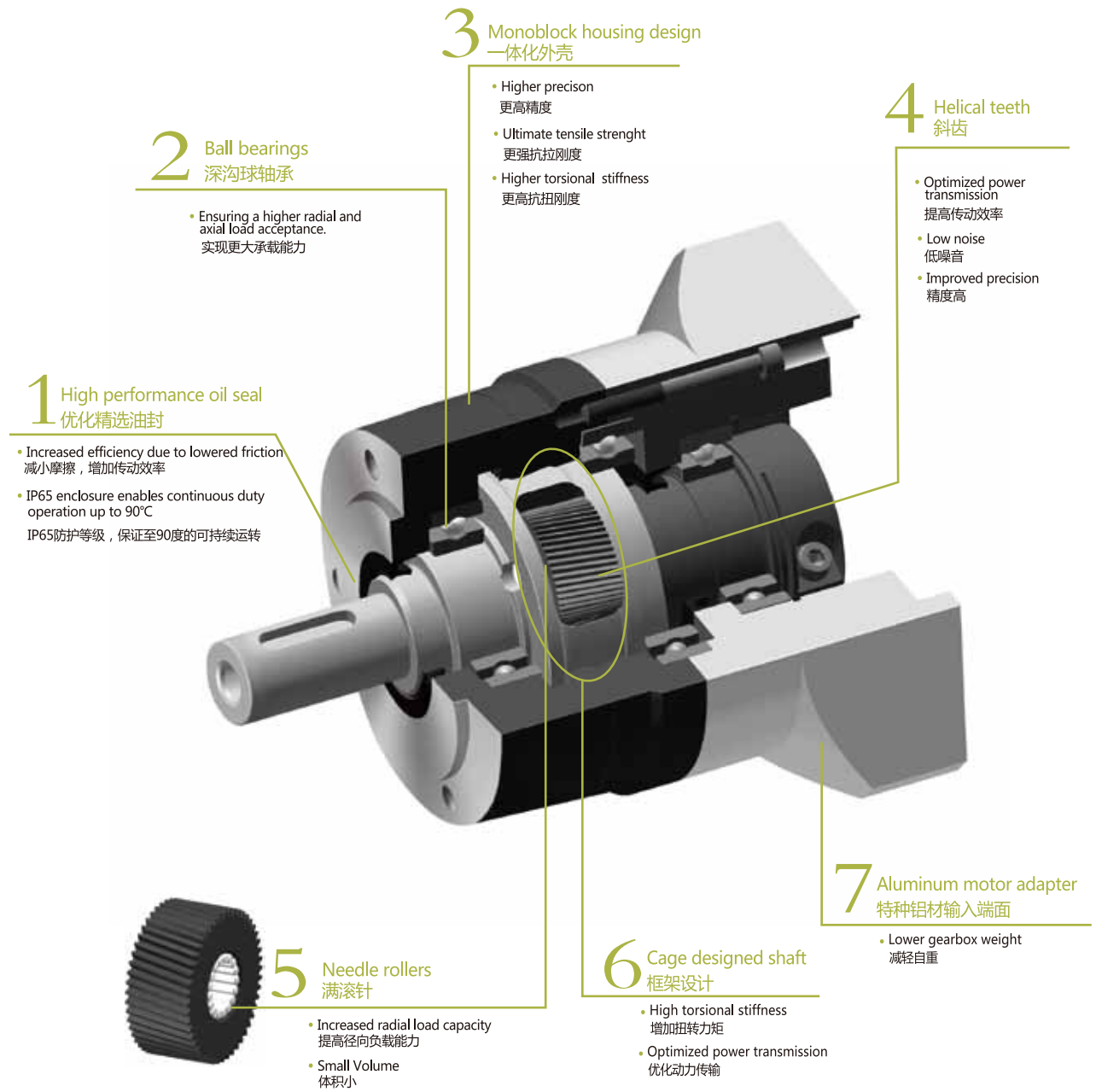




**Economic, multi-applications, high stiffness, high efficiency, low noise.**

经济合理，灵活应用，高刚性，高效率，低噪音



### 造型数据:

### Selection data:

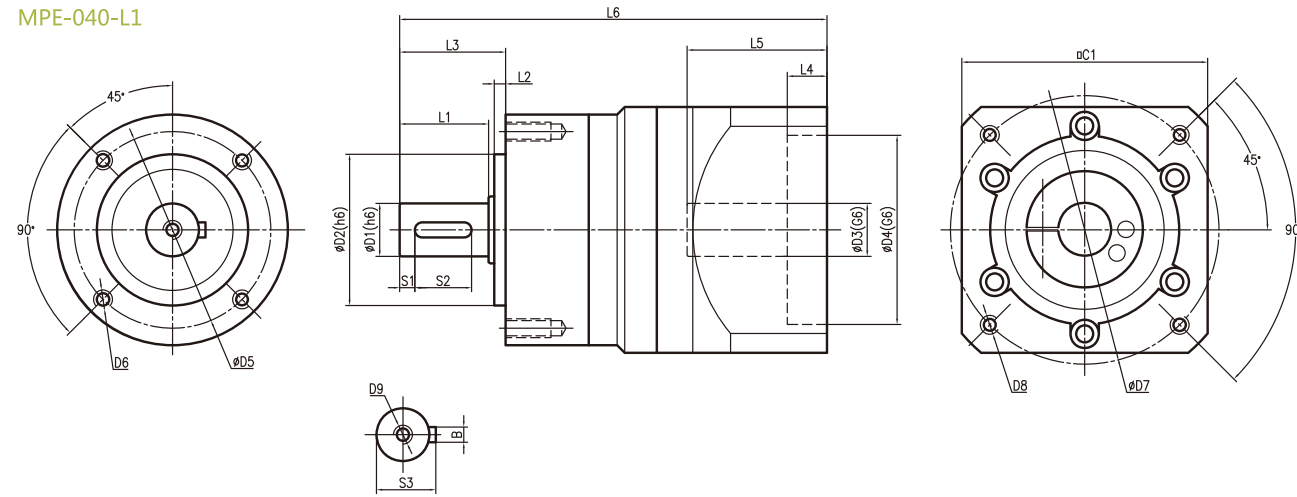
扭矩 ( Nm )	8-180
速比	3-100
背隙 ( arcmin )	5-8
最大工作温度 ( °C )	90
噪音 ( dB )	64-75

Nominal output torque ( Nm )	8-180
Reduction ratio	3-100
Backlash ( arcmin )	5-8
Max.working temperature ( °C )	90
Noise ( dB )	64-75

# Planetary Gearbox

## Drawing / Size

MPE-040-L1

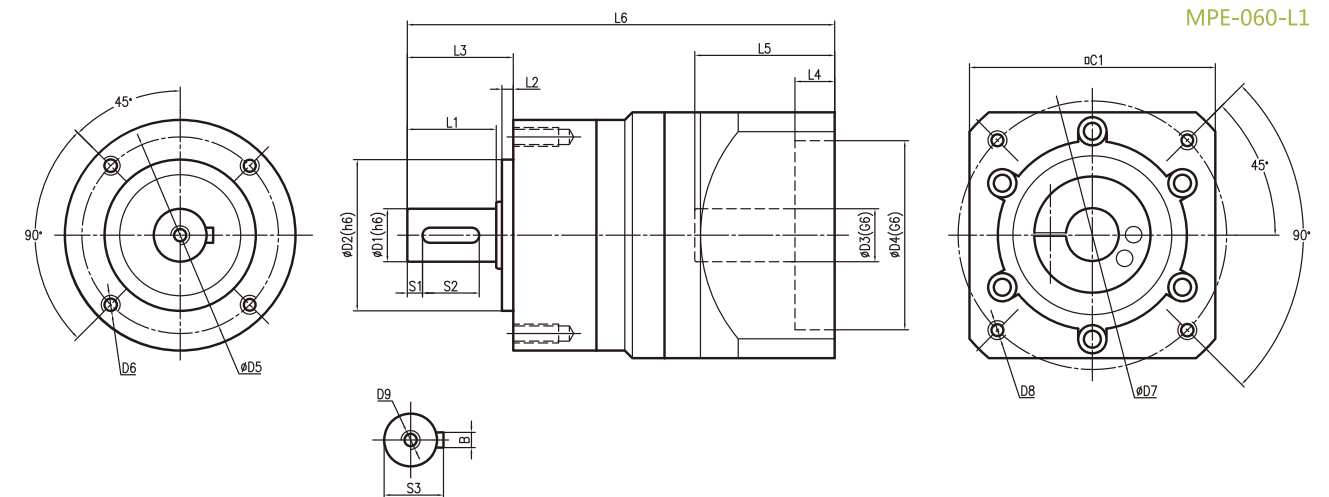


Flange	D1	D2	D3*	D4*	D5	D6	D7*	D8*	D9	L1	L2	L3	L4*	L5*	L6	C1*	S1	S2	S3	B
Type I	Φ12	Φ26	Φ8	Φ30	Φ34	4-M4X8	Φ46	4-M4X10	M4X10	18	2	21.5	5	32	88	40	2	14	13.5	4
Type II	Φ12	Φ26	Φ11	Φ50	Φ34	4-M4X8	Φ70	4-M4X10	M4X10	18	2	21.5	5	32	88	60	2	14	13.5	4

# Planetary Gearbox

## Drawing / Size

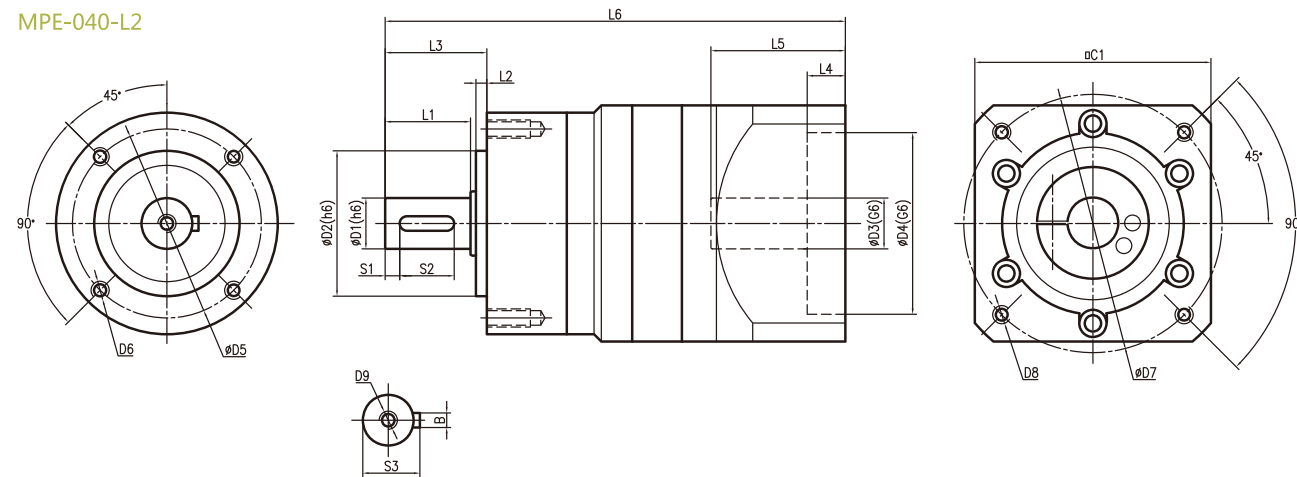
MPE-060-L1



Flange	D1	D2	D3*	D4*	D5	D6	D7*	D8*	D9	L1	L2	L3	L4*	L5*	L6*	C1*	S1	S2	S3	B
Type I	Φ14	Φ40	Φ11	Φ50	Φ52	4-M5X10	Φ70	4-M4X10	M5X13	23.5	3	28	10.5	37	113	65	4	15	15.7	4
Type II	Φ14	Φ40	Φ14	Φ50	Φ52	4-M5X10	Φ70	4-M5X12	M5X13	23.5	3	28	10.5	37	113	65	4	15	15.7	4

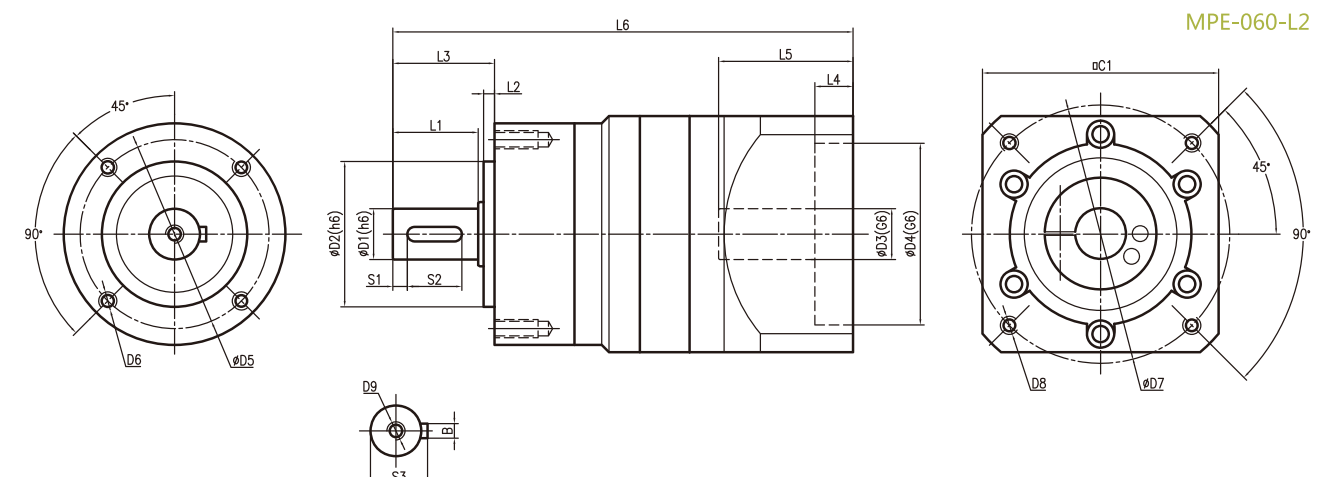
MPE

MPE-040-L2



Flange	D1	D2	D3*	D4*	D5	D6	D7*	D8*	D9	L1	L2	L3	L4*	L5*	L6*	C1*	S1	S2	S3	B
Type I	Φ12	Φ26	Φ8	Φ30	Φ34	4-M4X8	Φ46	4-M4X10	M4X10	18	2	21.5	5	32	104.5	40	2	14	13.5	4
Type II	Φ12	Φ26	Φ8	Φ30	Φ34	4-M4X8	Φ45	4-M4X10	M4X10	18	2	21.5	5	32	104.5	40	2	14	13.5	4

MPE-060-L2



Flange	D1	D2	D3*	D4*	D5	D6	D7*	D8*	D9	L1	L2	L3	L4*	L5*	L6*	C1*	S1	S2	S3	B
Type I	Φ14	Φ40	Φ11	Φ50	Φ52	4-M5X10	Φ70	4-M4X12	M5X13	23.5	3	28	10.5	37	133	65	4	15	15.7	4
Type II	Φ14	Φ40	Φ14	Φ50	Φ52	4-M5X10	Φ70	4-M5X12	M5X13	23.5	3	28	10.5	37	133	65	4	15	15.7	4

MPE

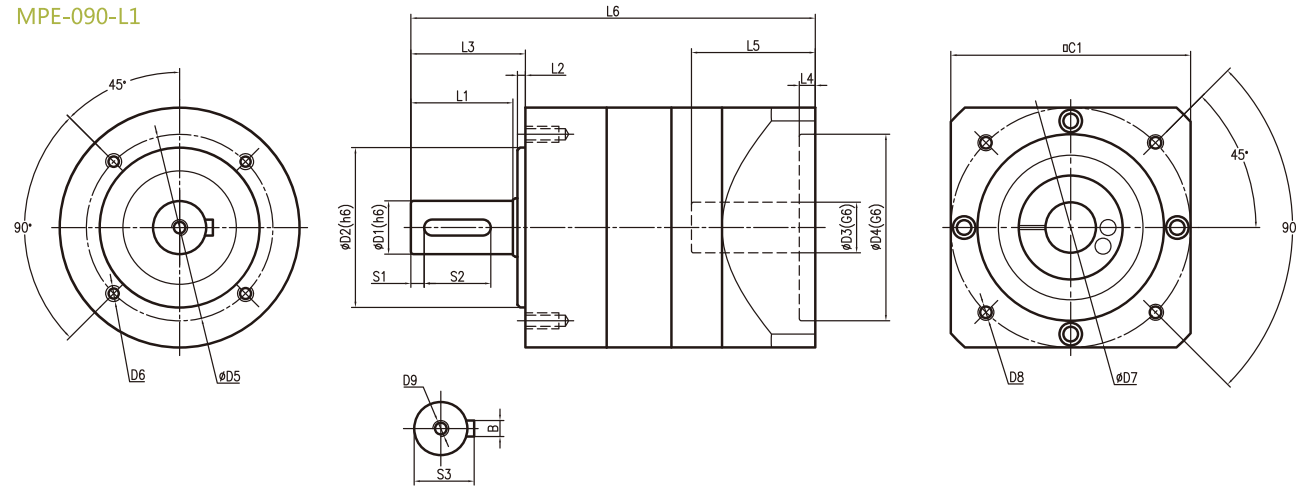
\*Dimensions based on servo-motor, please contact us for custom made order.  
注有 \* 尺寸：代表可根据客户需求定制产品，如有需要，请联系我们！

\*Dimensions based on servo-motor, please contact us for custom made order.  
注有 \* 尺寸：代表可根据客户需求定制产品，如有需要，请联系我们！

# Planetary Gearbox

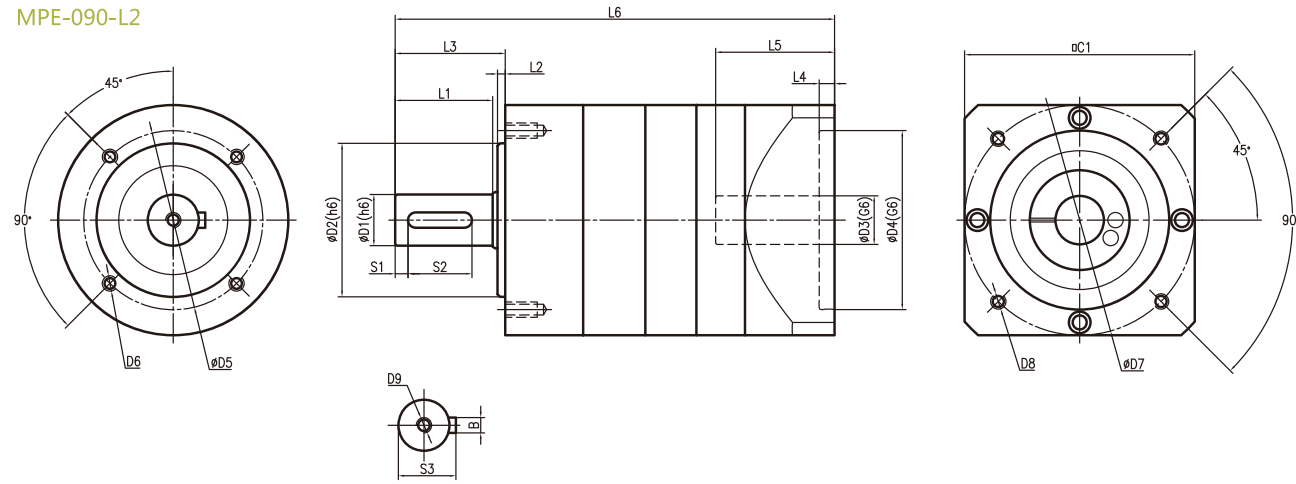
## Drawing / Size

MPE-090-L1



Flange	D1	D2	D3*	D4*	D5	D6	D7*	D8*	D9	L1	L2	L3	L4*	L5*	L6*	C1*	S1	S2	S3	B
Type I	Φ20	Φ60	Φ14	Φ50	Φ70	4-M6X12	Φ70	4-M5X12	M6X15	39	3	43	5	37	148.3	65	5	25	22.5	6
Type II	Φ20	Φ60	Φ19	Φ70	Φ70	4-M6X12	Φ90	4-M6X15	M6X15	39	3	43	6	46.5	151.8	90	5	25	22.5	6
Type III	Φ20	Φ60	Φ22	Φ110	Φ70	4-M6X12	Φ145	4-M8X15	M6X15	39	3	43	6	46.5	151.8	130	5	25	22.5	6
Type IV	Φ20	Φ60	Φ24	Φ110	Φ70	4-M6X12	Φ145	4-M8X15	M6X15	39	3	43	6	46.5	151.8	130	5	25	22.5	6

MPE-090-L2



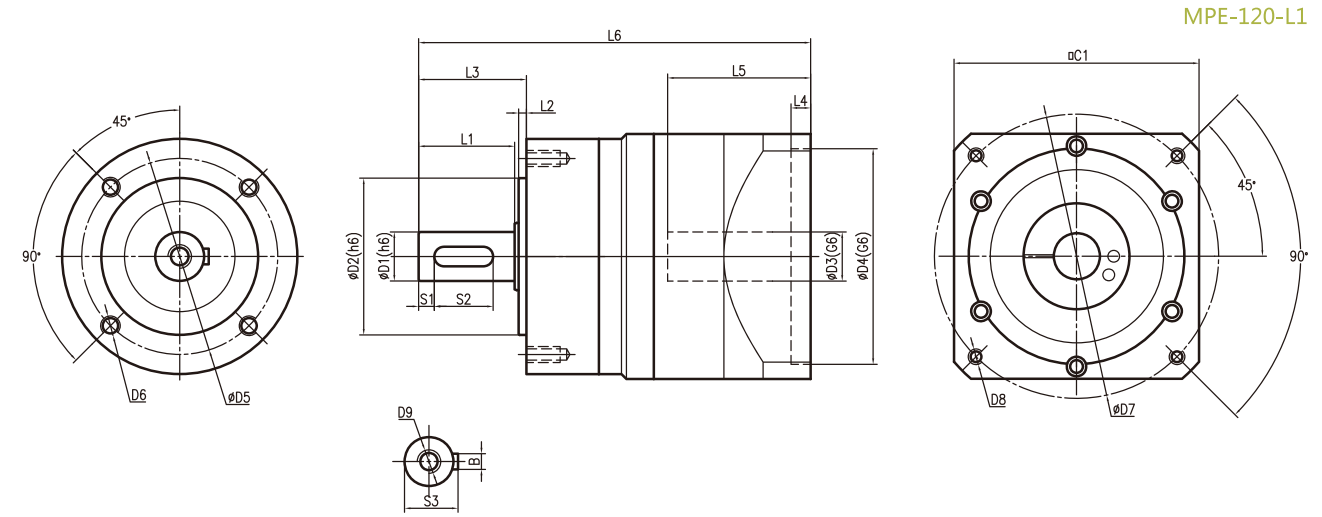
Flange	D1	D2	D3*	D4*	D5	D6	D7*	D8*	D9	L1	L2	L3	L4*	L5*	L6*	C1*	S1	S2	S3	B
Type I	Φ20	Φ60	Φ14	Φ50	Φ70	4-M6X12	Φ70	4-M5X12	M6X15	39	3	43	5	37	163.3	65	5	25	22.5	6
Type II	Φ20	Φ60	Φ19	Φ70	Φ70	4-M6X12	Φ90	4-M6X15	M6X15	39	3	43	6	46.5	179.3	90	5	25	22.5	6
Type III	Φ20	Φ60	Φ22	Φ110	Φ70	4-M6X12	Φ145	4-M8X15	M6X15	39	3	43	6	46.5	179.3	130	5	25	22.5	6
Type IV	Φ20	Φ60	Φ24	Φ110	Φ70	4-M6X12	Φ145	4-M8X15	M6X15	39	3	43	6	46.5	179.3	130	5	25	22.5	6

\*Dimensions based on servo-motor, please contact us for custom made order.  
注有 \* 尺寸：代表可根据客户需求定制产品，如有需要，请联系我们！

# Planetary Gearbox

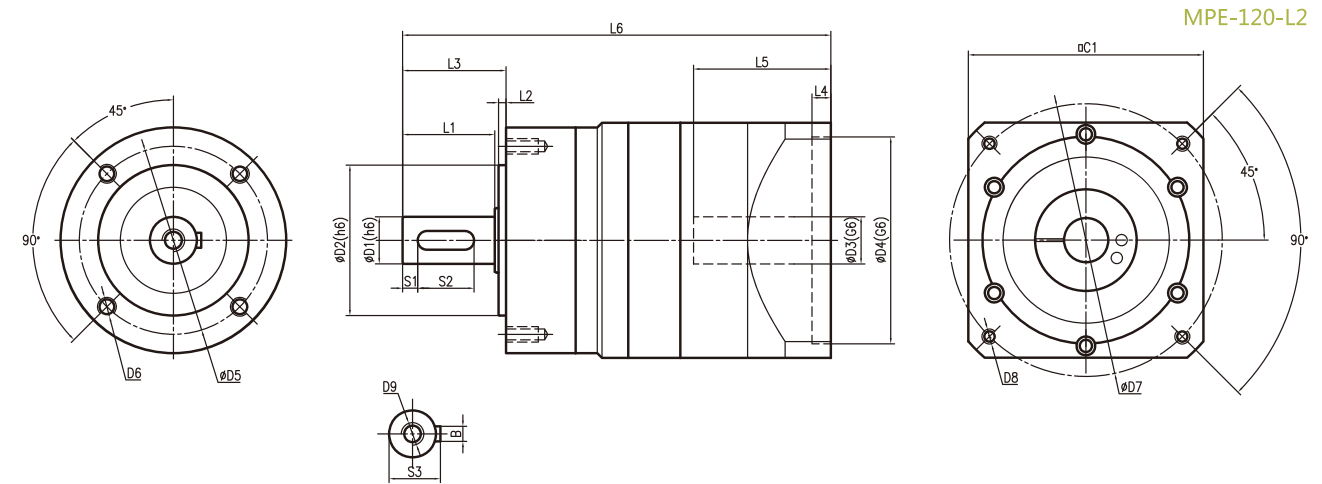
## Drawing / Size

MPE-120-L1



Flange	D1	D2	D3*	D4*	D5	D6	D7*	D8*	D9	L1	L2	L3	L4*	L5*	L6*	C1*	S1	S2	S3	B
Type I	Φ25	Φ80	Φ19	Φ70	Φ100	4-M10X20	Φ90	4-M5X15	M10X24	50	4	55	5	38.5	172	80	8	30	28	8
Type II	Φ25	Φ80	Φ22	Φ110	Φ100	4-M10X20	Φ145	4-M8X15	M10X24	50	4	55	11.5	63	192	125	8	30	28	8
Type III	Φ25	Φ80	Φ24	Φ110	Φ100	4-M10X20	Φ145	4-M8X15	M10X24	50	4	55	11.5	63	192	125	8	30	28	8

MPE-120-L2



Flange	D1	D2	D3*	D4*	D5	D6	D7*	D8*	D9	L1	L2	L3	L4*	L5*	L6*	C1*	S1	S2	S3	B
Type I	Φ25	Φ80	Φ19	Φ70	Φ100	4-M10X20	Φ90	4-M5X15	M10X24	50	4	55	5	46.5	200.5	80	8	30	28	8
Type II	Φ25	Φ80	Φ22	Φ110	Φ100	4-M10X20	Φ145	4-M8X15	M10X24	50	4	55	11.5	63	226	125	8	30	28	8
Type III	Φ25	Φ80	Φ24	Φ110	Φ100	4-M10X20	Φ145	4-M8X15	M10X24	50	4	55	11.5	63	226	125	8	30	28	8

\*Dimensions based on servo-motor, please contact us for custom made order.  
注有 \* 尺寸：代表可根据客户需求定制产品，如有需要，请联系我们！

# Planetary Gearbox

## Performance table

# Planetary Gearbox

## Performance table

MPE-040																	
Symb.	i	T <sub>2N</sub>	T <sub>2Not</sub>	n <sub>1N</sub>	n <sub>1Max</sub>	j <sub>t</sub>	C <sub>2t</sub>	F <sub>2RMax</sub>	F <sub>2AMax</sub>	J <sub>1</sub>	η	L <sub>h</sub>	T	Lub	PC	MP	dB
Unit		N <sub>m</sub>	N <sub>m</sub>	rpm	rpm	arcmin	Nm/arcmin	N	N	kgcm <sup>2</sup>	%	h	°C				
I STAGE	3	8	2×T <sub>2N</sub>	5000	8500	≤5	1.1	610	450	0.031	≥95	>20000	-15~45	Life Lubrication 终身润滑	IP65	Any 任何方向	≤64
	4	10								0.022							
	5	10								0.019							
	6	10								0.019							
	7	10								0.017							
	8	10								0.017							
	9	8								0.017							
	10	8								0.016							
II STAGE	15	8	2×T <sub>2N</sub>	3700	6000	≤8	2.5	950	750	0.015	≥90	>20000	-15~45	Life Lubrication 终身润滑	IP65	Any 任何方向	≤68
	20	10								0.007							
	25	10								0.007							
	50	10								0.015							
	80	10								0.007							
	100	8								0.007							

MPE-090																	
Symb.	i	T <sub>2N</sub>	T <sub>2Not</sub>	n <sub>1N</sub>	n <sub>1Max</sub>	j <sub>t</sub>	C <sub>2t</sub>	F <sub>2RMax</sub>	F <sub>2AMax</sub>	J <sub>1</sub>	η	L <sub>h</sub>	T	Lub	PC	MP	dB
Unit		N <sub>m</sub>	N <sub>m</sub>	rpm	rpm	arcmin	Nm/arcmin	N	N	kgcm <sup>2</sup>	%	h	°C				
I STAGE	3	55	2×T <sub>2N</sub>	3400	6000	≤5	6.5	1700	1600	0.77	≥95	>20000	-15~45	Life Lubrication 终身润滑	IP65	Any 任何方向	≤72
	4	60								0.52							
	5	75								0.45							
	6	75								0.45							
	7	75								0.39							
	8	75								0.39							
	9	55								0.45							
	10	55								0.74							
II STAGE	15	55	2×T <sub>2N</sub>	2600	4800	≤8	13	2400	2100	0.71	≥90	>20000	-15~45	Life Lubrication 终身润滑	IP65	Any 任何方向	≤75
	20	75								0.44							
	25	75								0.44							
	50	75								0.51							
	80	75								0.50							
	100	55								0.44							

MPE-060																	
Symb.	i	T <sub>2N</sub>	T <sub>2Not</sub>	n <sub>1N</sub>	n <sub>1Max</sub>	j <sub>t</sub>	C <sub>2t</sub>	F <sub>2RMax</sub>	F <sub>2AMax</sub>	J <sub>1</sub>	η	L <sub>h</sub>	T	Lub	PC	MP	dB
Unit		N <sub>m</sub>	N <sub>m</sub>	rpm	rpm	arcmin	Nm/arcmin	N	N	kgcm <sup>2</sup>	%	h	°C				
I STAGE	3	20	2×T <sub>2N</sub>	3700	6000	≤5	2.5	950	750	0.135	≥95	>20000	-15~45	Life Lubrication 终身润滑	IP65	Any 任何方向	≤68
	4	30								0.093							
	5	35								0.078							
	6	35								0.078							
	7	35								0.075							
	8	35								0.075							
	9	20								0.065							
	10	20								0.063							
II STAGE	15	20	2×T <sub>2N</sub>	3700	6000	≤8	2.5	950	750	0.065	≥90	>20000	-15~45	Life Lubrication 终身润滑	IP65	Any 任何方向	≤68
	20	30								0.075							
	25	35								0.075							
	50	35								0.076							
	80	35								0.075							
	100	20								0.075							

MPE-120																	
Symb.	i	T <sub>2N</sub>	T <sub>2Not</sub>	n <sub>1N</sub>	n <sub>1Max</sub>	j <sub>t</sub>	C <sub>2t</sub>	F <sub>2RMax</sub>	F <sub>2AMax</sub>	J <sub>1</sub>	η	L <sub>h</sub>	T	Lub	PC	MP	dB
Unit		N <sub>m</sub>	N <sub>m</sub>	rpm	rpm	arcmin	Nm/arcmin	N	N	kgcm <sup>2</sup>	%	h	°C				
I STAGE	3	140	2×T <sub>2N</sub>	2600	4800	≤5	13	2400	2100	2.63	≥95	>20000	-15~45	Life Lubrication 终身润滑	IP65	Any 任何方向	≤75
	4	180								1.79							
	5	180								1.53							
	6	180								1.53							
	7	180								1.32							
	8	180								1.32							
	9	140								1.32							
	10	140								1.53							
II STAGE	15	140	2×T <sub>2N</sub>	2600	4800	≤8	13	2400	2100	1.75	≥90	>20000	-15~45	Life Lubrication 终身润滑	IP65	Any 任何方向	≤75
	20	180								1.50							
	25	180								1.49							
	50	180								1.53							
	80	180								1.50							
	100	140								1.49							

# Planetary Gearbox Efficiency

## Efficiency

The efficiency of planetary reducers varies with several parameters such as ratio, input speed, temperature, lubrication conditions, etc.

The efficiency was measured under the following working conditions:

Input speed (rpm)	3000
Operating temperature (°C)	25
Lubricant	Standard

## 效率特性

减速机的效率一般因减速比、输入转速、负载转速、温度、润滑条件而异。在下列测定条件下，各系列的效率如下所示。此外，图表的数值均为平均值。

输入转速 (rpm)	3000
环境温度 (°C)	25
润滑剂	标准润滑剂

# Planetary Gearbox Efficiency chart

